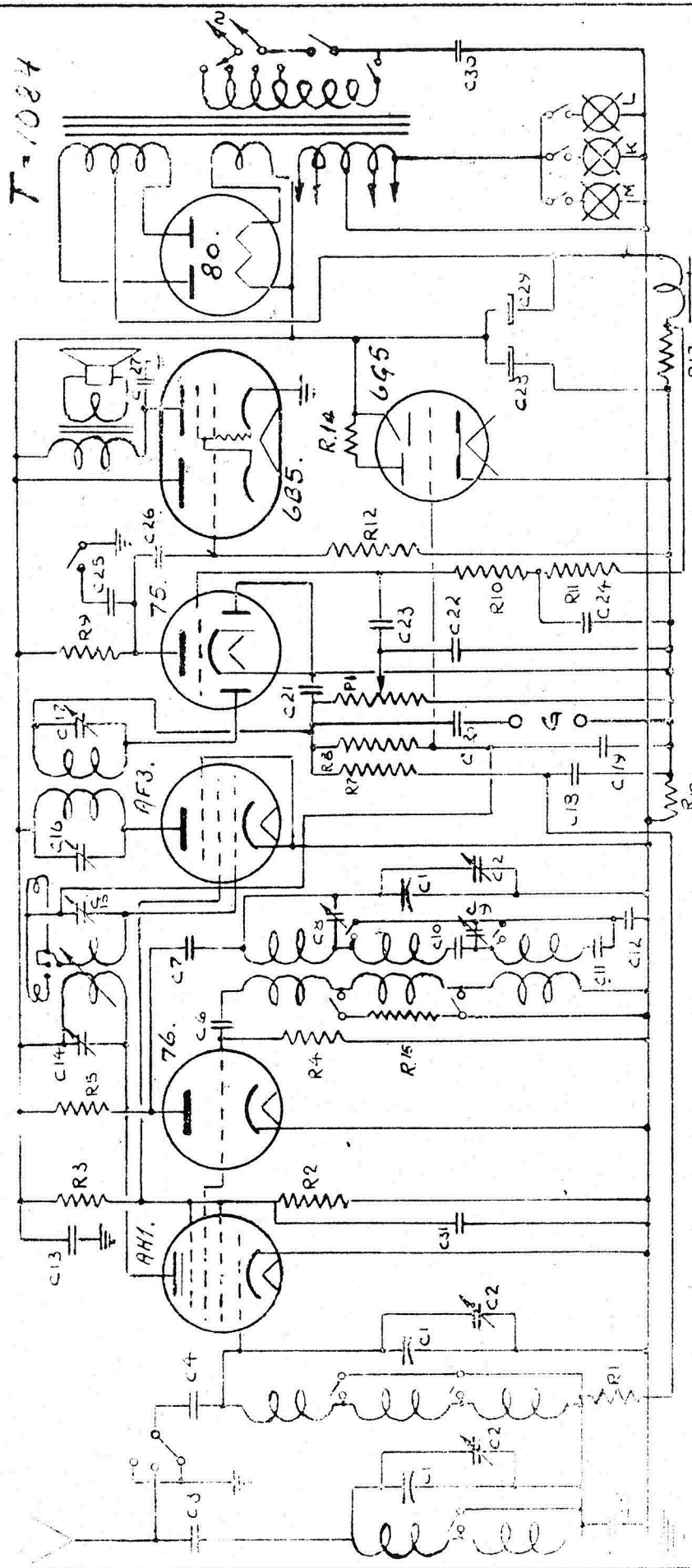


R 2 — RADIONETTE SUPER 36+37. — VM



- R 1 = 35 MΩ 1/2 W
- R 2 = 0.5 " 2 W
- R 3 = 0.3 " 2 W
- R 4 = 0.5 " 2 W
- R 5 = 0.5 " 2 W
- R 6 = 150 Ω TRÄDMOTST
- R 7 = 2 MΩ 1/2 W
- R 8 = 2 " " " "
- R 9 = 35 " " " "
- R 10 = 1 MΩ 1/2 W
- R 11 = 2 MΩ 1/2 W
- R 12 = 2 " " " "
- R 13 = 30 Ω TRÄDMOTST
- R 14 = 1 MΩ 1/2 W
- R 15 = 38 Ω TRÄDMOTST
- P 1 = .5 MΩ MED BRYTER
- C 1 = 3x450 μF VAR.
- C 2 = 3x25 " TRIMM.
- C 3 = 25 CM.
- C 4 = 12 CM.
- C 5 = 2000 CM.
- C 6 = 50CM
- C 7 = 5000 CM
- C 8 = 7-40PF TRIMM
- C 9 = " " " "
- C 10 = 2150 pf ±1%
- C 11 = 770 pf ±1%
- C 12 = 5750V ±2%
- C 13 = .1 μF
- C 14 = 80 μF 7-40PF TR.
- C 15 = " " " "
- C 16 = " " " "
- C 17 = " " " "
- C 18 = .1 μF
- C 19 = .1 μF
- C 20 = 20000 CM.
- C 21 = " " " "
- C 22 = " " " "
- C 23 = " " " "
- C 24 = " " " "
- C 25 = 8 μF 450V.
- C 26 = 5000 "
- C 27 = 2000 "
- C 28 = " " " "
- C 29 = 5000 CM.
- C 30 = 5 μF.
- C 31 = 5 μF.
- C 32 = 29-6-36

Serie nr 25001-25500