

# HIFI 15

## Technical specification:

Dimensions	: B: 28" (70 cm), H: 14" (35 cm), D: 11 1/4" (28 cm)
Internal volume	: 1.77 cu.ft. (50 l)
Weight	: 39 lb (17.5 kg)
Impedance	: 4 ohms
Crossover frequencies	: 1200 Hz, 4000 Hz
Resonance frequency	: 50 Hz
Frequency range (DIN 45570)	: 35 to 16000 Hz
Sensitivity (DIN 45500)	: 2 Watts
Max. continuous power (DIN 45573)	: 30 Watts

## Complement:

Woofer	: HT 120,	4 ohms,	12",	part No. 251777
Midrange	: HT 121,	4 ohms,	5",	part No. 253458
Tweeter:	: HT116,	4 ohms,	2 1/2",	part No. 254112

Gasket for the tweeter: part No. 253645

Series 1

## Crossover filter components:

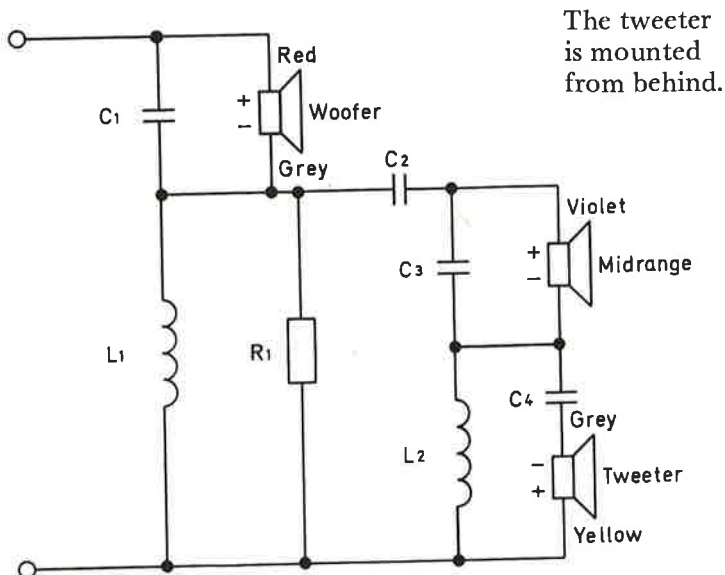
Filter board: part No. 994730

\* L1: 0.5 mH  
 \*\* L2: 0.15 mH

C1: 50  $\mu$ F part No. 282007  
 C2: 12  $\mu$ F part No. 277754  
 C3: 8  $\mu$ F part No. 276109  
 C4: 5  $\mu$ F part No. 275074

R1: 18 ohms, 1W part No. 204279

## Diagram:



## Notes:

\* L1 is replaced by coil 27213, part No. 980213 assembled on the core, part No. 290462.

\*\* L2 can be replaced by coil 27150, part No. 980150. The coil can be mounted on the filter board by means of glue, e.g. Bostik 555.

## Series 2

### Crossover filter components:

Filter board:

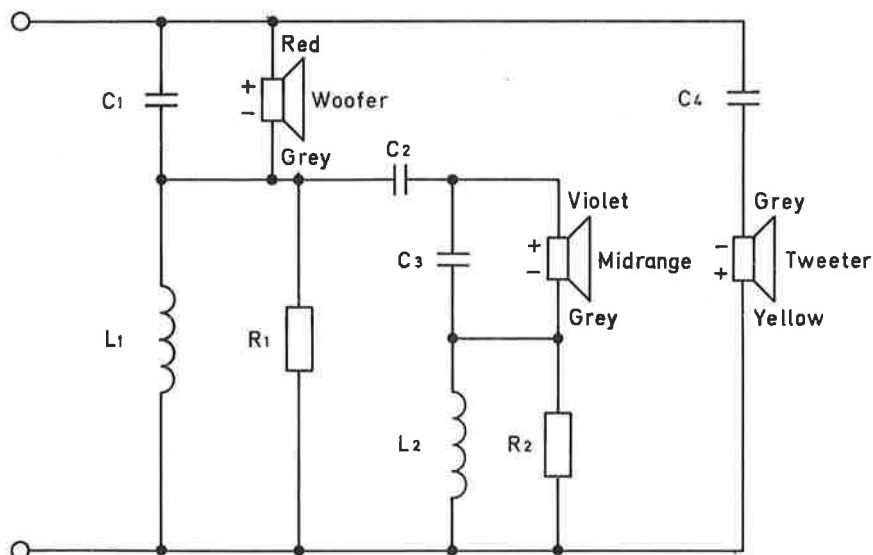
part No. 994730

\* L1: 0.5 mH  
\*\* L2: 0.24 mH

C1: 50  $\mu$ F, part No. 282007  
C2: 12  $\mu$ F, part No. 277754  
C3: 8  $\mu$ F, part No. 276109  
C4: 5  $\mu$ F, part No. 275074

R1: 18 ohms, 1 W, part No. 204279  
R2: 18 ohms, 1 W, part No. 204279

### Diagram:



### Notes:

\* L1 is replaced by coil 27213, part No. 980213 assembled on the core, part No. 290462.

\*\* L2 is replaced by coil 27150, part No. 980150.

### Series 3

#### Crossover filter components:

Filter board:

part No. 994730

\* L1: 0.5 mH

\*\* L2: 0.24 mH

C1: 50  $\mu$ F, part No. 282007

C2: 12  $\mu$ F, part No. 277754

C3: 8  $\mu$ F, part No. 276109

C4: 5  $\mu$ F, part No. 275074

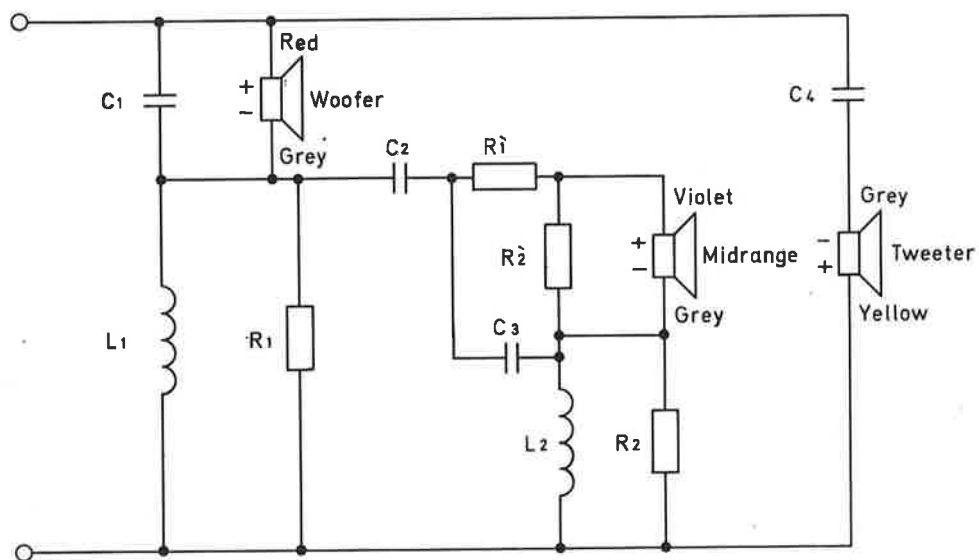
R1: 18 ohms, 1 W, part No. 204279

R2: 18 ohms, 1 W, part No. 204279

R3: 3.9 ohms, 5 W, part No. 228947

R4: 3.9 ohms, 5 W, part No. 228947

#### Diagram:



#### Notes:

\* L1 is replaced by coil 27213, part No. 980213 assembled on core, part No. 290462.

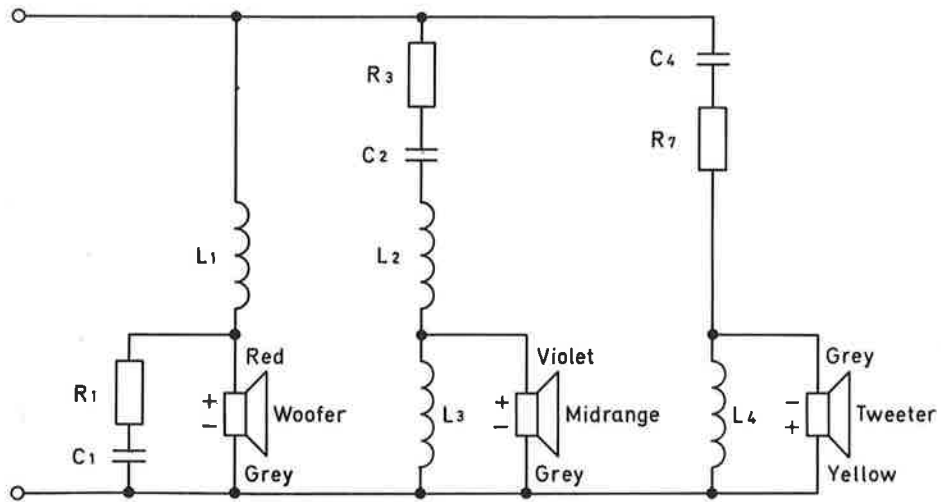
\*\* L2 is replaced by coil 27150, part No. 980150

Series 4

Crossover filter components:

Filter board:			part No. 994730
L1:	3 mH,	coil No. 27167,	part No. 980167, assembled on core, part No. 980167
L2:	0.4 mH	coil No. 27150,	part No. 980150
L3:	0.4 mH,	coil No. 27150,	part No. 980150
L4:	0.4 mH,	coil No. 27150,	part No. 980150
C1:	75 $\mu$ F,		part No. 284858
C2:	50 $\mu$ F,		part No. 282007
C4:	8 $\mu$ F,		part No. 276109
R1:	2.2 ohms, 2 W,		part No. 265433
R3:	2.2 ohms, 2 W,		part No. 265433
R7:	2.2 ohms, 2 W,		part No. 265433

Diagram:



Special woofer: SEAS 30 wK

Notes:

On systems assembled after week 47, 1970, the tweeter is mounted from the front behind the perforated strip.