

HI FI 18

Technical specification:

Dimensions	: B: 9 1/2" (23.5 cm), H: 9 1/2" (23.5 cm), H: 4 1/2" (11 cm)
Internal volume	: 0.12 cu.ft. (3.5 l)
Weight	: 6.7 lb (3.0 kg)
Impedance	: 4 ohms
Crossover frequency	: 3500 Hz
Resonance frequency	: 85 Hz
Frequency range (DIN 45570)	: 50 to 1800 Hz
Sensitivity (DIN 45500)	: 8 Watts
Max. continuous power (DIN 45573)	: 20 Watts

Complement:

Woofer: HTB 126, 4 ohms, 5", part No. 265132
Tweeter: HT 125, 4 ohms, 2 1/4", part No. 267215

Gasket behind the tweeter: part No. 271935

Crossover filter components:

Filter board: part No. 994703

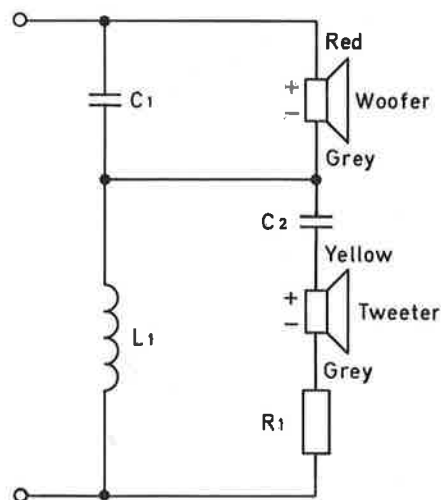
* L1: 0.24 mH

C1: 12 μ F, part No. 277754

C2: 5 μ F, part No. 275074

R1: 2.2 ohms, 2 W, part No. 265433

Diagram:



Notes:

* L1 is replaced by coil 27150, part No. 980150

The filter is either fixed with two screws from inside through the front or is clamped between the rockwool and the front.