

## TL 2507

### Technical specification:

Dimensions	: B: 21 1/4" (53 cm), H: 9 1/2" (23.5 cm), D: 9" (22 cm)
Internal volume	: 0.9 cu.ft. ( 25 l )
Weight	: 17.2 lb (7.75 kg)
Impedance	: 4 ohms
Crossover frequency	: 3000 Hz
Resonance frequency	: 90 Hz
Frequency range (DIN 45570)	: 60 to 20 000 Hz
Sensitivity (DIN 45500)	: 1.5 Watts
Max. continuous power (DIN 45573)	: 25 Watts

### Complement:

Woofers	: HT 133, 4 ohms, 8",	part No. 289097
Tweeters	: HT 116, 4 ohms, 2 1/2",	part No. 254112

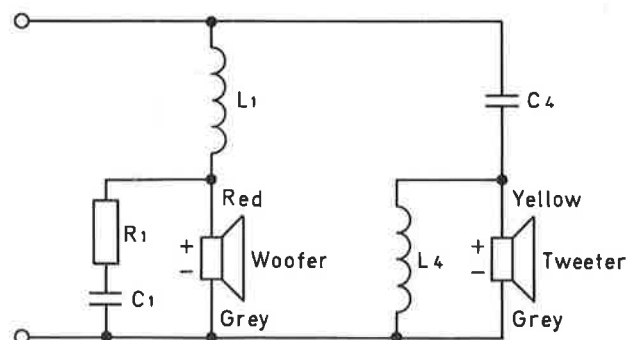
Gasket behind the tweeter, part No. 253645  
or part No. 319298 after week 16, 1974

### Series 1

### Crossover filter components:

Filter board:		part No. 994720
L1:	0.5 mH,	part No. 980213
L4:	0.4 mH,	part No. 980150
C1:	20 $\mu$ F,	part No. 282358
C4:	10 $\mu$ F,	part No. 280677
R1:	2.2 ohms, 2 W,	part No. 265433
Needle,		part No. 320497

### Diagram:



Series 2

Crossover filter components:

Filter board:		part No. 994720
L1:	1.1 mH,	part No. 980220
L4:	0.4 mH,	part No. 980150
C4:	8 $\mu$ F,	part No. 276109
R7:	1 ohm, 2 W,	part No. 241900

Diagram:

