

TL 5020A AND TL 5020

Technical specification:

Dimensions	: B: 26" (65 cm), H: 14 7/8" (37 cm), D: 11 1/4" (28 cm)
Internal volume	: 1.8 cu.ft. (50 l)
Weight	: 38.5 lb (17.35 kg)
Impedance	: 4 to 8 ohms
Crossover frequencies	: 700 Hz, 3500 Hz
Resonance frequency	: 50 Hz
Frequency range (DIN 45570)	: 35 to 22 000 Hz
Sensitivity (DIN 45500)	: 2 Watts
Max. continuous power (DIN 45573)	: 60 Watts

Complement:

Woofer	: HT 130, 8 ohms, 12",	part No. 281029
Midrange	: HT 129, 8 ohms, 5",	part No. 284743
Tweeter	: HT 150, 4 ohms, 1",	part No. 314469 (2 units)

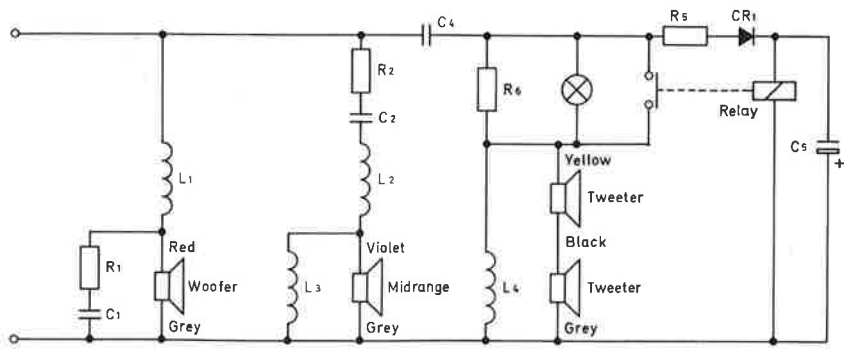
Gasket behind the tweeter: part No. 313028

Series 1

Crossover filter components:

Filter board:	part No. 994707	
L1:	2 mH,	part No. 980166
L2:	0.4 mH,	part No. 980150
L3:	0.4 mH,	part No. 980150
L4:	0.4 mH,	part No. 980150
C1:	75 μ F,	part No. 284858
C2:	20 μ F,	part No. 282358
C3:	6.8 μ F,	part No. 313672
C5:	250 μ F,	part No. 241124
R1:	2.2 ohms, 9 W,	part No. 313794
R2:	3.3 ohms, 9 W,	part No. 312113
R5:	56 ohms, 1/4 W,	part No. 325203
R6:	560 ohms, 1/3 W,	part No. 216967
CR1:		part No. 289851
Relay:		part No. 312509
Lamp:		part No. 219343

Diagram:



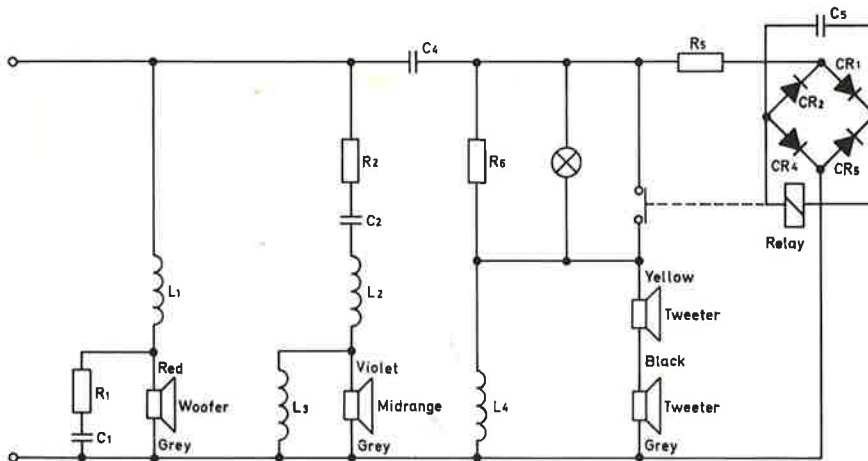
Series 2

With modified protection circuit for the tweeters.

Crossover filter components:

- | | | |
|---------------|------------------|-----------------|
| Filter board: | | part No. 994707 |
| L1: | 2 mH, | part No. 980166 |
| L2: | 0.4 mH, | part No. 980150 |
| L3: | 0.4 mH, | part No. 980150 |
| L4: | 0.4 mH, | part No. 980150 |
| C1: | 75 uF, | part No. 284858 |
| C2: | 20 uF, | part No. 282358 |
| C3: | 6.8 uF, | part No. 313672 |
| C4: | 250 uF, | part No. 241124 |
| R1: | 2,2 ohms, 9 W, | part No. 313794 |
| R2: | 3.3 ohms, 9 W, | part No. 312113 |
| R5: | 56 ohms, 1/4 W, | part No. 325203 |
| R6: | 560 ohms, 1/3 W, | part No. 216967 |
| CR1: | | part No. 289851 |
| CR2: | | part No. 289851 |
| CR3: | | part No. 289851 |
| CR4: | | part No. 289851 |
| CR4: | | partNo. 289851 |
| Relay: | | part No. 312509 |
| Lamp: | | part No. 219343 |

Diagram:



Notes:

The only difference between TL 5020A and TL 5020 is that TL5020 has a different cabinet with aluminium trimmings.